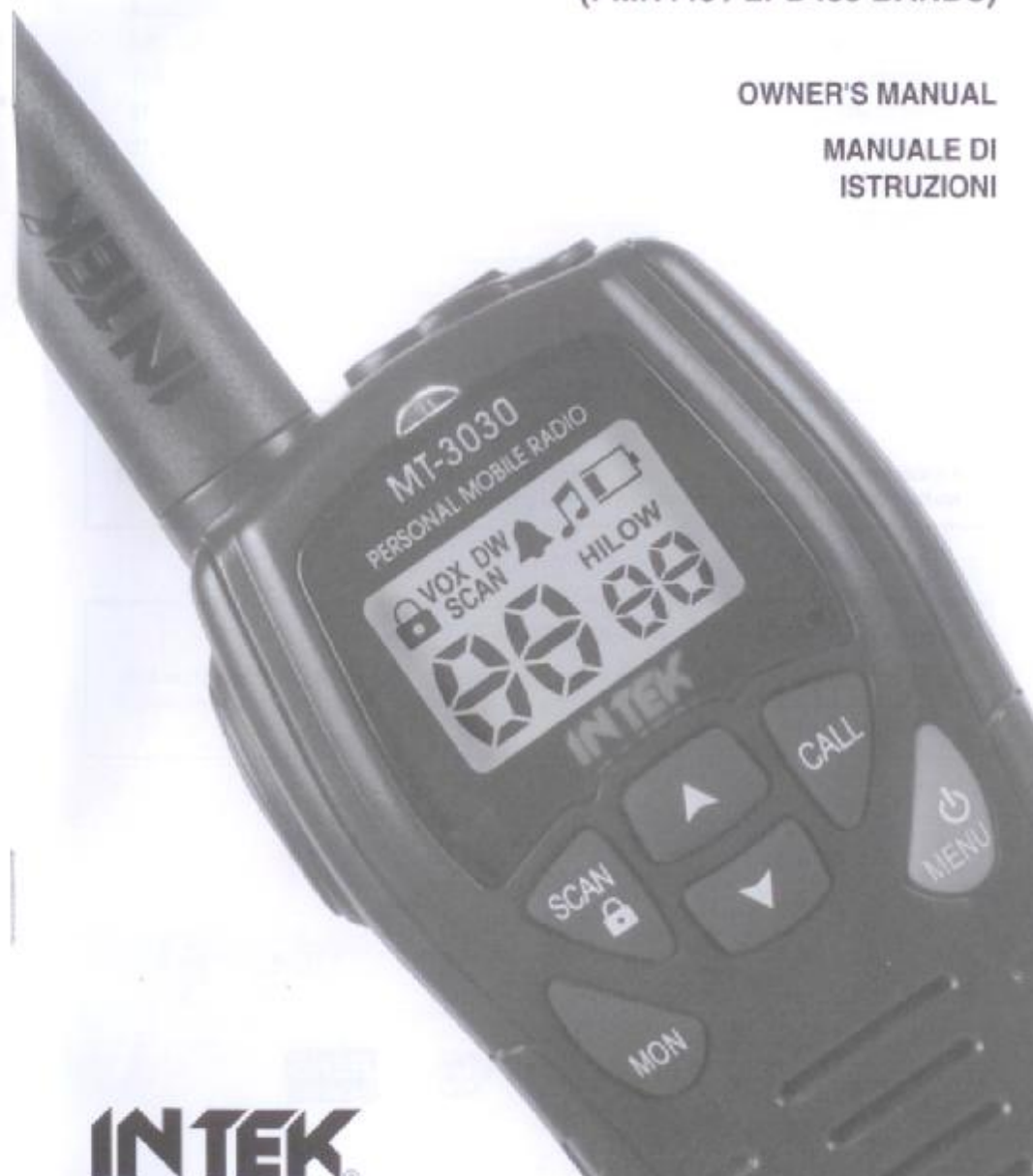


MT-3030

MULTISTANDARD
UHF HANDELD TRANSCEIVER
(PMR446 / LPD433 BANDS)

OWNER'S MANUAL

MANUALE DI
ISTRUZIONI



PRINTED IN CHINA

INTEK[®]

Index.....	1
Introduction	2-3
Contents of Package	3
Battery Operation	3-4
Belt Clip	4
Controls and Indicators	5-7
Operation	8-11
Specifications	12
Optional Accessories	12
Important Informations	13
Declaration of Conformity	14
User Information	14
Notes	30

IMPORTANT !

It is recommended to carefully read this instruction manual throughout, before using the radios. This also in order to prevent you from using the radios out of the limits stated by the regulations.

IMPORTANT !

The maximum operating range will vary depending on terrain and environment. Range will be usually greater in open fields. While range is usually shorter within and around buildings or large structures. This unit may not ensure privacy of communication.

**Congratulations !**

Congratulations on your selection and purchase of this high quality product. With proper care and adherence to the set-up and user instructions in this Owner's Manual, this unit will let you enjoy years of trouble-free service.

We are committed to providing quality products that fit your needs, however we would like to receive any comments or suggestions that you might have on this product, which will help us in continuous improvement of the quality.

Applications

The MT-3030 is a compact design two-way communication device, operating on the PMR 446 MHz and on the LPD 433 MHz European bands. **Radio must be operated on the band (PMR446 or LPD433) and on the channels allowed in the country where the product is been used, in accordance with the local regulations.** It can be used to provide immediate, high quality, cost free 2-way communication, for both business or personal use, it is the ideal communication tool for many applications, like :

- Industry
- Construction Sites
- Shops, Stores & Shopping Malls
- Warehouses & Buildings
- Hotels & Resorts
- Safety & Emergency
- Baby Monitor
- Sport & Leisure
- Sporting Events, Concerts, Meetings
- Bike & Motorcycle Riding
- Kids and old persons Control
- Camping and Hiking
- Indoor & Outdoor Activities
- Sailing and Sports Flight

Features and Benefits

The radio includes a number of advanced features, nevertheless its operation is user friendly and you may get familiar with it, after few minutes of use.

Please refer to the following list of the main features in this two-way radio :

- 8 PMR Channels + 69 LPD Channels
- 38 CTCSS Codes
- Roger Beep Tone
- Keypad Program Tone
- Keypad Lock
- Up to 10 km range on PMR446 channels, depending on the environment
- Auto Squelch
- Auto Monitor
- Auto Power Save Circuit
- VOX (Baby Room Monitor) / Handsfree Use
- Dual Watch function
- Adjustable HI-LO Transmitter Power (PMR band)
- Channel Scan

Introduction - Contents of Package - Battery Operation

- Channel / CTCSS Tone Memory
- 3 Selectable Call Tone Melodies
- Bi-color LED Transmit and Reception Indicator
- Back Lighted LCD Display
- Battery Status
- External Earset-Microphone Jack
- Wall Charger Jack

Contents of Package

Please carefully check that the package contains the following items :

- 2 x Main Unit (Radio with Antenna)
- 2 x Ni-MH Battery Pack
- 2 x 230VAC Wall Charger
- 2 x Belt Clip
- 2 x Earset-Microphone
- 1 x User Manual (this one)

BATTERY OPERATION

Installing and Checking Batteries

The radio can be powered by no. 4 pcs AAA type alkaline batteries or by the supplied Ni-MH battery pack. Is better to remove the clip from the belt for an easy removal or installation of battery. To install the battery please refer to the following procedure :

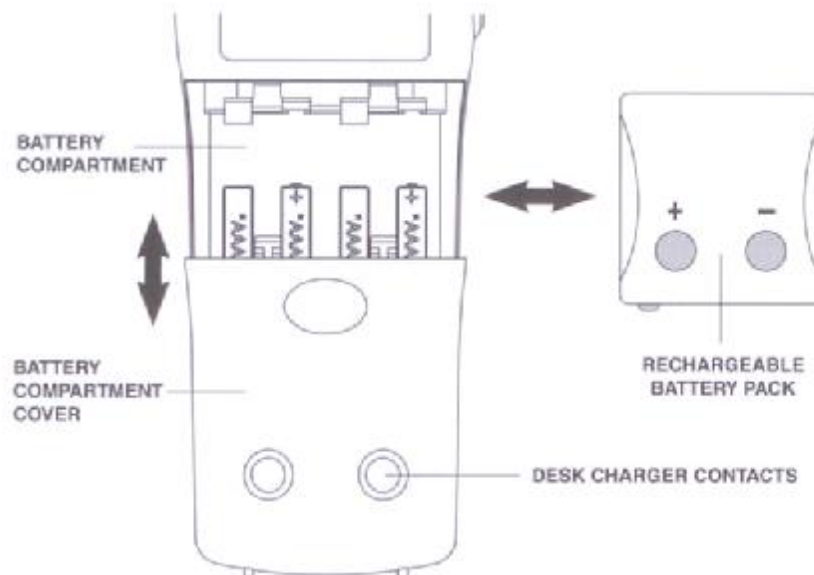
1. Release the Cabinet Cover of the battery room by sliding it down.
2. Install no. 4 pcs AAA type batteries or the Ni-MH battery pack into the Battery Compartment. Be certain to respect the correct polarity in the compartment. Installing the batteries incorrectly will prevent the unit from operating.
3. Re-install the Cabinet Cover by sliding it up.

When the battery capacity is low, the Low Battery Level Icon (E) appears on the LCD Display (4). You should recharge the battery at that time. The Low Battery Level icon (E) will not appear on the display unless the unit detects that the battery is low. When the battery capacity is low, the Battery Level icon will blink and (in PMR Band only) the transmitter will be automatically switched in Low Power Mode. Transmitter will work until battery is empty. Recharge or replace the batteries at this time. Please refer to the following item BATTERY CHARGING.

Battery Charging

When the battery capacity is low, switch OFF the radio and connect the supplied battery travel to the CHG jack (2), then plug it into the 230VAC outlet. To obtain the maximum performance from the batteries, recharge them only when they are fully discharged. The charging time depends on the capacity of the used batteries, it is approximately 12 hours for one set of Ni-MH batteries (600-800mAh). When the charging time has expired, unplug the charger from the AC outlet and then disconnect it from the radio.

Battery Operation

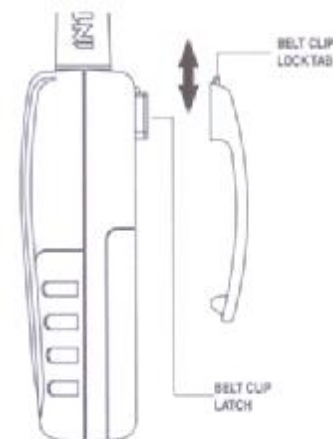


WARNING !

1. Use only the battery indicated in this manual or the supplied Ni-MH Battery Pack.
2. Do never try to recharge alkaline batteries, as this might cause damage to the radio or explosion of the batteries.
3. Always switch OFF radio before starting the battery charging process.
4. Do not recharge batteries for more than 12-14 hours, in order to avoid overcharge or overheating, which could cause damage to the radio.
5. Use only the enclosed battery charger or original INTEK battery chargers.

Belt Clip

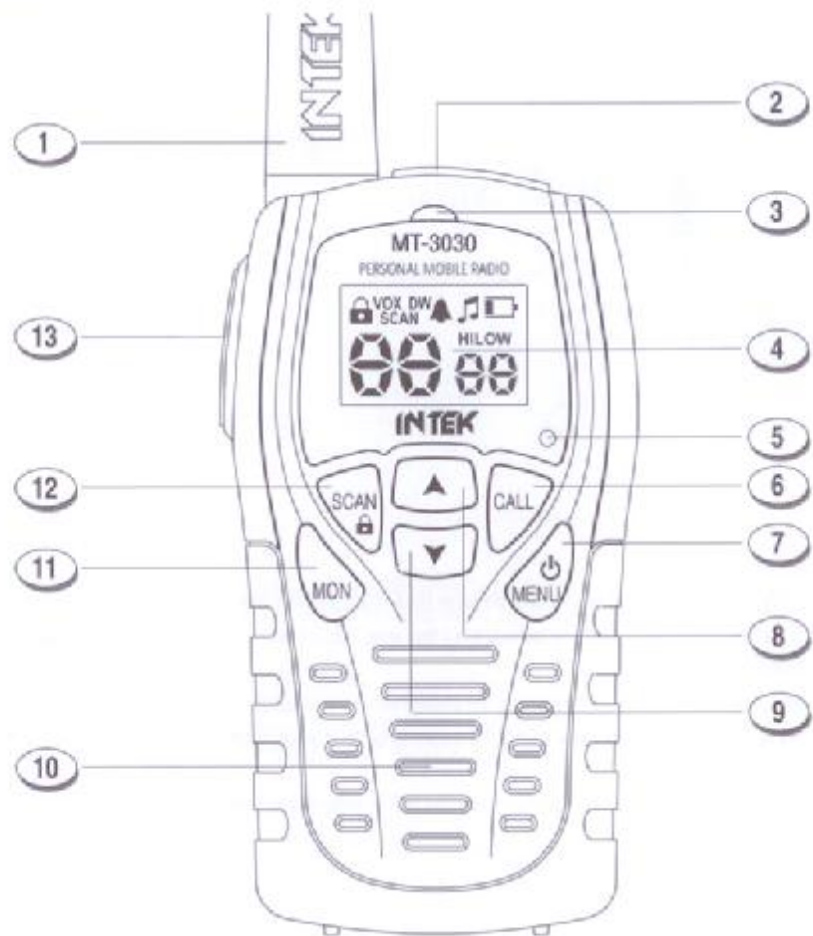
1. To install the belt clip, slide it down into the special slot situated in the rear side of the unit, until the block system make a click.
2. To remove the clip, pull the block tab toward exterior and slide the clip toward the up side of the unit.



Controls and Indicators

English

Front Panel



1. Antenna

High efficiency rubber antenna.

2. Earset-Microphone-Charge Jack

Connect an external earset-microphone to this jack. Connect the supplied 230VAC battery travel charger to this jack.

WARNING !

Use only original accessories. Connecting and using accessories other than the original ones, may cause serious damage to the radio and will void the warranty.

Always set the volume to minimum before connecting an external earset, in order to avoid damaging the earset or the user's ear.

Controls and Indicators

English

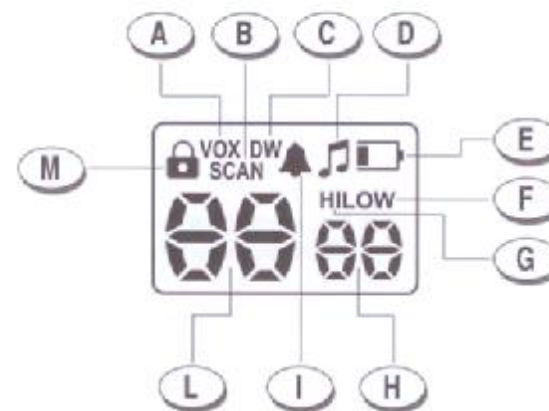
3. TX/RX LED indicator

This green-red dual color LED Indicator lights up in green color when radio is in receive mode and in red color when radio is in transmit mode.

4. LCD Display

LCD display with green color backlight function for best readability in darkness. The 4-line LCD indicates simultaneously all the programmed settings and all the enabled functions.

LCD Display



A. VOX Icon

The VOX Icon (A) is lighted when the VOX (handsfree use) function is enabled.

B. SCAN Icon

The SCAN icon (B) is lighted when the SCAN function has been enabled, in order to automatically search busy channels.

C. DW Icon

The DW icon (C) is lighted when the DW (DUAL WATCH) function has been enabled, in order to automatically monitor two different channels.

D. Roger Beep Icon

The Roger Beep Icon (D) is lighted when the Roger Beep function is enabled.

E. Low Battery Level Indicator

It shows when battery level is low.

F. LOW Icon

The LOW icon (F) is lighted when the transmitter is in the LOW POWER mode (PMR channels only).

G. HI Icon

The HI icon (G) is lighted when the transmitter is in the HIGH POWER mode (PMR channels only).

Controls and Indicators

English

H. CTCSS Code Number

It shows the selected CTCSS Code Number.

I. Keypad Program Tone Icon

The Keypad Program Tone Icon (I) is lighted when the keyboard tone function is enabled.

L. Channel Number

It shows the selected channel, from P1 to P8 (PMR channels) and from 01 to 69 (LPD channels).

M. LOCK Icon

The LOCK (M) icon is lighted when the keypad lock function has been enabled.

5. Built-in Microphone

Built-in microphone.

6. CALL Key

Press the CALL (6) key to transmit a musical Call Alert Tone. In the MENU MODE press this key to confirm the function selection.

7. ON-OFF / MENU Key

Press and hold this key to switch ON/OFF the radio. Shortly press the MENU (7) key to enable and program the various functions of the radio. Pressing the MENU (7) key will scroll the various functions.

8. UP Key

The UP (8) key is used to increase the volume level (from level 1 to level 8) and toggle setting in Menu mode.

9. DOWN Key

The DOWN (9) key is used to decrease the volume level (from level 8 to level 1) and toggle setting in Menu mode.

10. Built-in Speaker

Built-in front speaker.

11. MON Key

Press the MON key (11) to activate the Monitor function. This function opens Squelch in order to listen to the background noise and weak signals.

12. SCAN / LOCK Key

SCAN

Shortly press the SCAN (12) key to start the channels scanning (refer to AUTOMATIC CHANNEL SCANNING at page 11).

KEYPAD LOCK

Press and hold the SCAN (12) key for about 3 seconds to enable the keypad LOCK function. Press and hold this key again to disable the keypad LOCK function (refer to KEYPAD LOCK at page 11).

13. PTT (Push-To-Talk) Key

Press the PTT (13) key to transmit and hold it during transmission. The TX/RX LED Indicator (3) will be lighted in red color during transmission. Release the PTT (13) key at the end of your transmission to return to the receive mode.

WARNING ! Do not touch the antenna during transmission.

Operation

English

MENU OPERATION

Channel Selection

The radio has 8 PMR channels (P1-P8) + 69 LPD channels (01-69). To choose the desired channel, please proceed as follows :

1. Press the MENU (7) key until the channel number (L) blinks on the LCD display.
2. Press the UP (8) or DOWN (9) keys to select the desired channel. Pressing and holding the UP (8) or DOWN (9) keys, the channel selection will move quicker.
3. To confirm the selection and exit the Menu Mode, press PTT key (13) or the CALL (6) key or press the MENU (7) key to move to the next function.

PMR Channels

FREQ.	CH	FREQ.	CH	FREQ.	CH	FREQ.	CH
446.00625	P1	446.03125	P3	446.05625	P5	446.08125	P7
446.01875	P2	446.04375	P4	446.06875	P6	446.09375	P8

LPD Channels

FREQ.	CH	FREQ.	CH	FREQ.	CH	FREQ.	CH
433.07500	1	433.52500	19	433.97500	37	434.42500	55
433.10000	2	433.55000	20	434.00000	38	434.45000	56
433.12500	3	433.57500	21	434.02500	39	434.47500	57
433.15000	4	433.60000	22	434.05000	40	434.50000	58
433.17500	5	433.62500	23	434.07500	41	434.52500	59
433.20000	6	433.65000	24	434.10000	42	434.55000	60
433.22500	7	433.67500	25	434.12500	43	434.57500	61
433.25000	8	433.70000	26	434.15000	44	434.60000	62
433.27500	9	433.72500	27	434.17500	45	434.62500	63
433.30000	10	433.75000	28	434.20000	46	434.65000	64
433.32500	11	433.77500	29	434.22500	47	434.67500	65
433.35000	12	433.80000	30	434.25000	48	434.70000	66
433.37500	13	433.82500	31	434.27500	49	434.72500	67
433.40000	14	433.85000	32	434.30000	50	434.75000	68
433.42500	15	433.87500	33	434.32500	51	434.77500	69
433.45000	16	433.90000	34	434.35000	52	-	-
433.47500	17	433.92500	35	434.37500	53	-	-
433.50000	18	433.95000	36	434.40000	54	-	-

CTCSS Code Selection

The radio has 38 CTCSS private codes available. Different CTCSS tones may be associated to different channels. To choose the desired CTCSS code, please proceed as follows :

1. Press the MENU (7) key several times, until the CTCSS code number (H) blinks on the LCD display. The CTCSS code **OF** (H) indicates that no CTCSS tone is programmed on that channel.
2. Press the UP (8) or DOWN (9) keys to select the desired CTCSS code number. Pressing and holding the UP (8) or DOWN (9) keys, the selection will move quicker.

Operation

- To confirm the selection and exit the Menu Mode, press PTT key (13) or the CALL (6) key or press the MENU (7) key to move to the next function.

Selecting a CTCSS code of **0F** will disable the CTCSS feature. To communicate between two or more radios, both the channel and CTCSS code selections must be the same. To communicate with other models and brands of radios, the actual radio frequency and CTCSS frequency must be matched. The frequency chart and CTCSS Code chart are included to help with this selection.

CTCSS - TONE FREQUENCY CHART

No	Freq. (Hz)	No	Freq. (Hz)	No	Freq. (Hz)	No	Freq. (Hz)	No	Freq. (Hz)
0F	CTCSS OFF	08	88,5	16	114,8	24	151,4	32	203,5
01	67,0	09	91,5	17	118,8	25	156,7	33	210,7
02	71,9	10	94,8	18	123,0	26	162,2	34	218,1
03	74,4	11	97,4	19	127,3	27	167,9	35	225,7
04	77,0	12	100,0	20	131,8	28	173,8	36	233,6
05	79,7	13	103,5	21	136,5	29	179,9	37	241,8
06	82,5	14	107,2	22	141,3	30	186,2	38	250,3
07	85,4	15	110,9	23	146,2	31	192,8	-	-

VOX (Handsfree use) Function

Your radio is equipped with a user selectable Voice Operated Transmitter function (VOX), that is used for automatic voice transmission (handsfree use or baby room monitor use). In this mode, transmission is automatically initiated by speaking into the microphone (5) and there is no need to push the PTT (13). To enable the VOX function, please proceed as follows :

- Press the MENU (7) key several times, until the **VOX** icon (A) blinks on the LCD display (4).
- Press the UP (8) or DOWN (9) keys to select the desired level of sensitivity (level 1 or level 2) or to deactivate the VOX (**0F**). The VOX level 2 indicates the highest VOX sensitivity. When VOX feature is on, the VOX icon (A) will appear on the LCD display.
- To confirm the selection and exit the Menu Mode, press PTT key (13) or the CALL (6) key or press the MENU (7) key to move to the next function.

Transmitter RF Power Setting

Your radio has a HI/LOW Power selection function to set the TX Power for PMR Band. This function is very convenient to reduce the current drain and extend battery life when communicating within short distance. To select the output power on the PMR Band :

- Press the MENU (7) key several times, until the **Pr** (H) indication blinks on the LCD display (4).
- Press the UP (8) or DOWN (9) keys to select the desired power level, HI (high power) or LOW (low power). On the LCD display will appear the HI (G) icon or LOW (F) icon.
- To confirm the selection and exit the Menu Mode, press PTT key (13) or the CALL (6) key or press the MENU (7) key to move to the next function.

Note : this function is available only on the 8 PMR channels.

Operation

Keypad Program Tone Setting

When a key is pressed, a beep tone is heard to confirm your command. The user may enable or disable this keypad program tone.

- Press the MENU (7) key several times, until the keypad tone icon (I) will blink on the LCD display (4).
- Press the UP (8) or DOWN (9) keys to set the desired selection **on** (keypad tone enabled) or **oF** (keypad tone disabled).
- To confirm the selection and exit the Menu Mode, press PTT key (13) or the CALL (6) key or press the MENU (7) key to move to the next function.
- When the Keypad tone is enabled, the Keypad tone icon (I) appears on the LCD display.

Roger Beep Tone Setting

The radio is equipped with a user selectable Roger Beep Tone feature, which enables you to send a Beep Tone at the end of each transmission after every release of the PTT (13) key. This will prompt any receiving unit that your transmission has ended. To enable or disable this function, please proceed as follows :

- Press the MENU (7) key several times, until the Roger Beep tone icon (D) will blink on the LCD display (4).
- Press the UP (8) or DOWN (9) keys to set the desired selection **on** (Roger Beep tone enabled) or **oF** (Roger Beep tone disabled).
- To confirm the selection and exit the Menu Mode, press PTT key (13) or the CALL (6) key or press the MENU (7) key to move to the next function.
- When the Roger Beep tone is enabled, the tone icon (D) appears on the LCD display.

Call Tone Setting

The radio is equipped with 3 user selectable Call tone melodies. To set the desired Call tone melody, please proceed as follows :

- Press the MENU (7) key several times, until the **CA** (L) indication and melody number (H) will blink on the LCD display (4).
- Press the UP (8) or DOWN (9) keys to set the desired melody (01-02-03).
- To confirm the selection and exit the Menu Mode, press PTT key (13) or the CALL (6) key or press the MENU (7) key to move to the next function.
- Press the CALL key (6) to transmit the Call Tone Melody.

Dual Watch Setting

The radio is equipped with a Dual Watch function that allows to monitor 2 different channels / CTCSS codes combinations. To set the Dual Watch function, please proceed as follows :

- Select the first channel to be monitored.
- Press the MENU (7) key several times until the **oF** (L) icon (function disabled) and the DW (C) icon will blink on the LCD display (4).
- Press the UP (8) or DOWN (9) keys to select the second channel to be monitored between the 8 PMR and the 69 LPD available channels.
- Press PTT (13) or CALL (6) keys to confirm the selection and use the UP (8) or DOWN (9) keys to select the desired CTCSS code number between the 38 available codes. Selecting the CTCSS code **0F** will disable the CTCSS feature.

Operation

English

- To confirm the selection and exit the Menu Mode, press PTT key (13) or the CALL (6).
- When the Dual watch function is enabled, the DW icon (C) appears on the LCD display and the radio will start monitoring and will stop when a signal is received on one of the two stored channels. The scan will re-start at the end of transmission.
- To disable the Dual Watch function, press the SCAN (12) key or the MENU (7) key.

Automatic Channel Scanning

This function allows automatic scanning of all channels and programmed memories. To start the automatic scan function proceed as follows :

- Shortly press the SCAN (12) key; the unit will automatically start the automatic channels scanning and the SCAN (B) icon will appear on the LCD display.
SCAN will automatically stop when a signal is detected on one channel, in order to listen to the communication and SCAN will re-start when no more signal is detected on that channel after about 4 seconds. If you press the PTT key (13) during the SCAN operation, SCAN will stop automatically and radio will set the last used channel. SCAN will then restart after about 14 seconds if no signals are received on that channel. If a signal with a CTCSS code is received, the radio shows that channel with the corresponding code. If the receiving code is different from the pre-programmed, the radio won't correspond with that correspondent.
- Press the SCAN (12) key to exit the SCAN mode.

Keypad Lock

To avoid entering unwanted command, press and hold the SCAN/LOCK (12) key for about 2 seconds. The LOCK (M) icon will appear on the LCD display (4). When the Keypad function is enabled, the UP (8), DOWN (9), SCAN (12) and MENU (7) keys will be disabled. When the keypad is locked, you will still be able to turn the radio OFF and ON, monitor, transmit/receive, and send a Call tone. To unlock the Keypad, press again the SCAN/LOCK (12) key for about 2 seconds.

Auto Squelch

Your radio is equipped with an automatic Squelch system that automatically cuts off weak transmissions and unwanted noise due to terrain conditions and range limitations. By pressing the MON (11) key, the Squelch function will be disabled and you will hear the background noise or any weak signal. To resume the automatic Squelch, just press the MON (11) key again.

Automatic Power Save Setting

The radio has a unique Automatic Power Save circuit designed to dramatically extend battery life. If it senses no transmission within 5 seconds, it automatically switches to the Power Save mode. The Radio can still receive transmissions in this mode.

Specifications - Optional Accessories

English

SPECIFICATIONS

Channels	8 PMR Channels + 69 LPD Channels with 38 CTCSS Codes
Operating Frequency	UHF 446.00625 - 446.09375 MHz (PMR Band) UHF 433.07500 - 434.77500 MHz (LPD Band)
Power Source	6.0V (4 x AAA 1,5V alkaline battery) 4.8V (4 x AAA 1,2V Ni-MH rechargeable battery) 4.8V (Rechargeable Battery Pack)
Output Power	0.5W ERP High / 0.05W ERP Low (PMR BAND) 0.01W ERP maximum (LPD Band)
Dimensions	H170 x L55 X D40 mm (including antenna)
Weight	gr. 142 (including battery)

Damaged Antenna

Do not use any radio that has a damaged Antenna. If a damaged antenna comes in contact with the skin, a minor burn may occur.

Battery Operation - Important Information

Dispose of battery in the proper manner, according to federal, state and local regulations that apply in your area. A battery may leak electrolyte if it is mixed in a set with different battery types, if inserted incorrectly, if disposed of in fire, or if an attempt is made to charge a battery not intended to be charged. Discard leaky batteries immediately. Leaking batteries can cause skin burns or other personal injury.

OPTIONAL ACCESSORIES

MT-SM100	External Earset-Microphone with Tie Clip
MT-SM200	External Earset- Flexible Boom Microphone with Tie Clip
SM-007-A1	External Transparent Earset-Microphone for Security use.
HS-2PIN-S/INT	Motorcycle Set (for Integral Helmet)
HS-2PIN-S/JET	Motorcycle Set (for Jet Helmet)
DDC-800	230VAC Electronic Quick Desk Charger

Important Informations

English

Important Informations

Important !

Changes or modifications to this product could void your authority to operate this unit. Your radio is produced and factory set to transmit a regulated signal on an assigned frequency. It is against the law to alter or adjust the settings inside the radio to exceed those limitations. Any adjustment to your radio must be made by a qualified authorized technician or service.

To be safe and sure :

Never open the cabinet of your radio.

Never change or replace anything in your radio (except the battery).

Your radio might cause TV or radio interference even when it is operating properly. To determine whether your radio is causing the interference, turn it off. If the interference goes away, your radio is causing it. Try to eliminate the interference by moving your radio away from the receiver. If you cannot eliminate the interference, stop using the radio.

Hazardous Environments :

Do not operate the radio in hazardous environments.

Care and Safety :

To clean the radio, use a soft cloth dampened with water. Do not use cleaners or solvents because they can harm the body of the unit and leak inside, causing permanent damage. Use a dry, lint-free cloth to clean the battery contacts.

Do not submerge the unit in water or use it on a wet environment. If the unit gets wet, turn it off and remove the battery immediately. Dry the battery and the battery compartment with a soft cloth to minimize potential water damage. Leave the battery compartment cover off overnight to ensure complete drying. Do not use the radio until it is completely dry.

Notice ! Use of Multi-Standard Transceivers

This transceiver is a Multi-Standard (DUAL BAND) device and it may be used in all the European countries and in some other countries as well, but only on the channels (frequencies) allowed by the local regulations in each country.

PMR446 (8 channels) : Austria, Belgium, Czech Rep., Denmark, Finland, France, Germany, Greece, Iceland, Ireland, Italy, Luxembourg, Norway, Holland, Poland, Portugal, Spain, Sweden, Switzerland, UK, Turkey

LPD433 (69 channels) : Austria, France, Germany, Greece, Norway, Holland, Russia, Sweden

Declaration of Conformity - User Information

EC Certificate of Conformity
(to EC Directive 99/5-89/336-93/68-73/23)

DECLARATION OF CONFORMITY

With the present declaration, we certify that the following products :

INTEK MT-3030D

comply with all the technical regulations applicable to the above mentioned products in accordance with the EC Directives 73/23/EEC, 89/336/EEC and 99/5/EC.

Type of product :	LPD / PMR 446 Transceiver
Details of applied standards :	EN 300 220-1-2-3, EN 301 489-1-3, EN 60065 EN 300 296-2, EN 301 489-5, EN 60065
Manufacturer :	INTEK S.R.L. 16 Via G. Marconi 20090 Segrate (MI) Tel. 02-26950451 / Fax 02-26952185 E-Mail intek.com@intek-com.it
Contact Reference :	Armando Zanni Tel. 02-26950451 / Fax 02-26952185 E-Mail intek.com@intek-com.it

Segrate, 11/01/2008

dr. Vittorio Zanetti (General Manager)

User Information

in accordance with art. 13 of the Legislative Decree of 25th July 2005, no. 15 "Implementation of Directives 2002/95/EC, 2002/96/EC and 2003/108/EC, relative to reduction of the use of hazardous substances in electrical and electronic equipment, in addition to waste disposal".



The crossed bin symbol shown on the equipment indicates that at the end of its working life the product must be collected separately from other waste.

The user must therefore take the above equipment to the appropriate differentiated collection centres for electronic and electro technical waste, or return it to the dealer when purchasing a new appliance of equivalent type, in a ratio of one to one.

Appropriate differentiated waste collection for subsequent recycling, treatment and environment-friendly disposal of the discarded equipment helps to prevent possible negative environmental and health effects and encourages recycling of the component materials of the equipment.

Illegal disposal of the product by the user will be punished by application of the administrative fines provided for by the legislative decree no. 22/1997 (article 50 and following of the legislative decree no. 22/1997).

English